

CL(P)-55PLC68-OB



Display size
55" Diagonal

Xtreme™ Outdoor Daylight Readable Display

55" OUTDOOR DISPLAY

There has never been an outdoor daylight readable display built to withstand the harsh outdoor elements like the Peerless-AV® Xtreme™. The fully-sealed weatherproof design provides the ultimate protection, while the patented Dynamic Thermal Transfer™ system passively cools and thermally heats the display eliminating the need for filters, vents or fans. With the highest water and dust ingress protection ratings in its class, the Xtreme display is a perfect choice for any indoor or outdoor location.

The CL(P)-55PLC68-OB's daylight readable display provides a clear, crisp picture even in direct sunlight.



Additional Features

- ✓ Optically bonded display increases the contrast ratio and cuts down on glare, providing amazing picture quality, even in direct sunlight
- ✓ Daylight readable with LED backlight and full HD 1080p resolution for a bright, crisp picture
- ✓ Patented Dynamic Thermal Transfer™ system keeps internal components safely warmed in extreme cold and properly cooled in extreme heat
- ✓ Polarized models available for use in portrait specific installations
- ✓ Waterproof Xtreme™ Outdoor Soundbar delivers highest quality sound (optional accessory)



CL-55PLC68-OB

SALT, AIR & WATER
CERTIFIED TO
MIL-STD-810G



Patented Dynamic Thermal Transfer™ system keeps internal components safely warmed in extreme cold and properly cooled in extreme heat



Portrait model,
CLP-55PLC68-OB

| | |
|-----------------------|---|
| CL-55PLC68-OB | Xtreme™ Outdoor Daylight Readable Display - 55" Landscape Outdoor Display |
| CLP-55PLC68-OB | Xtreme™ Outdoor Daylight Readable Display - 55" Portrait Outdoor Display |

LCD Display

| | |
|----------------------|----------------------------------|
| SCREEN SIZE | 55" diagonal |
| ASPECT RATIO | 16:9 |
| RESOLUTION | 1920 X 1080 |
| BRIGHTNESS | 700cd/m ² |
| BACKLIGHT ADJUSTMENT | Automatic (Ambient Light Sensor) |
| CONTRAST RATIO | 1000:1 |
| VIEWING ANGLE | 178° Vertical/Horizontal |
| RESPONSE TIME | 9 ms (Gray to Gray) |
| REFRESH RATE | 120Hz |

TV Controller Features

| | |
|------------------------------|--|
| ANALOG TV | NTSC |
| DIGITAL TV | ATSC, MPEG4, QAM256, H.264 |
| PICTURE ADJUSTMENT | Brightness/Contrast/Tint/Sharpness/Color |
| PICTURE MODE | Standard, Dynamic, Personal, Theater |
| COLOR TEMPERATURE ADJUSTMENT | Cool, Normal, Warm |
| SCREEN ADJUSTMENT | 4:3, 16:9, Full, Zoom, Point to Point |
| CLOCK, SLEEP TIMER | Yes |
| V-CHIP | Yes |

Input/Output Connections

| | |
|-----------------------------|--|
| TV INPUT | Coax, 75 ohm (x1) |
| VGA INPUT | 15 pin D-SUB (x1) |
| HDMI INPUT | HDMI (x3), 480i, 480p, 720p, 1080i |
| CVBS INPUT | RCA (x1) |
| YPBPR INPUT | RCA, 480i, 480p, 720p, 1080i, 1080p |
| VGA STEREO AUDIO INPUT | 3.5 mm (x1) |
| CVBS STEREO AUDIO INPUT | RCA (x1) |
| YPBPR STEREO AUDIO INPUT | RCA (x1) |
| AUDIO STEREO OUTPUT | 8W + 8W, 8 Ohm via 3.5mm headphone jack (Optional Feature) |
| S/PDIF DIGITAL AUDIO OUTPUT | RCA (x1) |
| USB | Yes |
| RS232 | DB-9 (Female) |

Environmental

| | |
|-----------------------|---------------------------------------|
| OPERATING TEMPERATURE | -40°F to 140°F |
| RANGE TEMPERATURE | -40°F to 140°F (Unit Left Plugged In) |
| IP RATING | IP68 |
| SAFETY/EMC | FCC Class A |

Power

| | |
|-------------------|---|
| AC INPUT | 90 VAC to 240 VAC, 47 to 63 HZ |
| POWER CONSUMPTION | Display - 145W (Nominal) Low Temperature Heater - 845W |

Mechanical

| | | | |
|------------------|---|---------------|---------------------------------|
| SIZE (W x H x D) | 50.39" x 29.56" x 6.09" (1280 x 751 x 155mm) | GLASS | Anti-reflective & UV Protection |
| COLOR | Black | VESA® PATTERN | 600 x 400mm |
| | | NET WEIGHT | 138lb (62.6kg) |

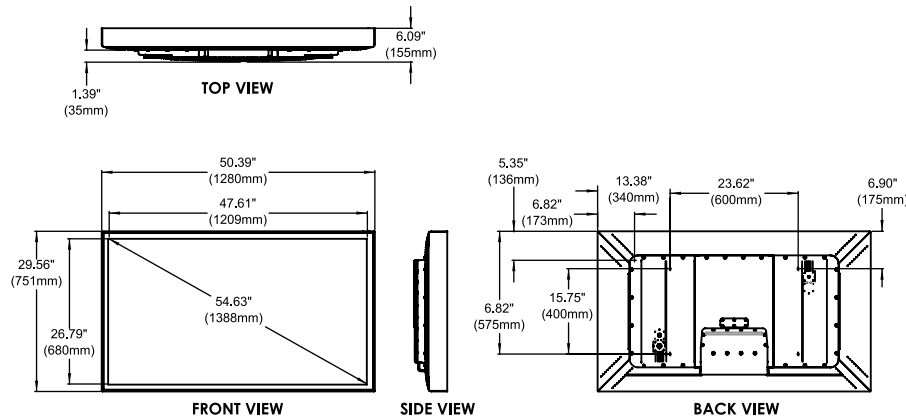
Package Specifications

| | PACKAGE SIZE (W x H x D) | PACKAGE SHIP WEIGHT | PACKAGE UPC CODE | PACKAGE CONTENTS | UNITS IN PACKAGE |
|------------------|--|---------------------|---|--|------------------|
| CL(P)-55PLC68-OB | 56.00" x 34.00" x 11.00" (1423 x 864 x 280mm) | 151lb (68.5kg) | CL-55PLC68-OB: 735029298458 CLP-55PLC68-OB: 735029298458 | Display, Remote Control, User's Manual, Fuse Holder Bracket, Nut Drivers, Power Cord | 1 |

Accessories

| | | | |
|-------------|-----------------------------------|--------------|--------------------------|
| EPT650(-S): | Outdoor Universal Tilt Wall Mount | CLCOV-LG-GR: | Display Cover - Large |
| ESA763PU: | Outdoor Articulating Wall Mount | SPK-O6O: | Xtreme™ Outdoor Soundbar |

All dimensions = inch (mm)



Architect Specifications

The Xtreme™ Outdoor Daylight Readable Display shall be a Peerless-AV model CL(P)-55PLC68-OB and shall be located where indicated on the plans. Assembly and installation shall be done according to instructions provided by the manufacturer.

Visit peerless-av.com to see the complete line of AV solutions from Peerless-AV, including outdoor displays, wireless, kiosks, digital audio, display mounts, projector mounts, carts/stands, and a full assortment of accessories.

Peerless-AV
2300 White Oak Circle
Aurora, IL 60502 USA
(800) 865-2112
(630) 375-5100
Fax: (800) 359-6500

Peerless-AV Europe
Unit 3 Watford Interchange
Colonial Way, Watford
Herts, WD24 4WP
United Kingdom
+44 (0) 1923 200100
Fax: +44 (0) 1923 200101

Peerless-AV de México
Ave de las Industrias 413
Parque Industrial Escobedo
Escobedo, N.L.,
Mexico 66050
+52 (81) 8384-8300
Fax: +52 (81) 8384-8360

